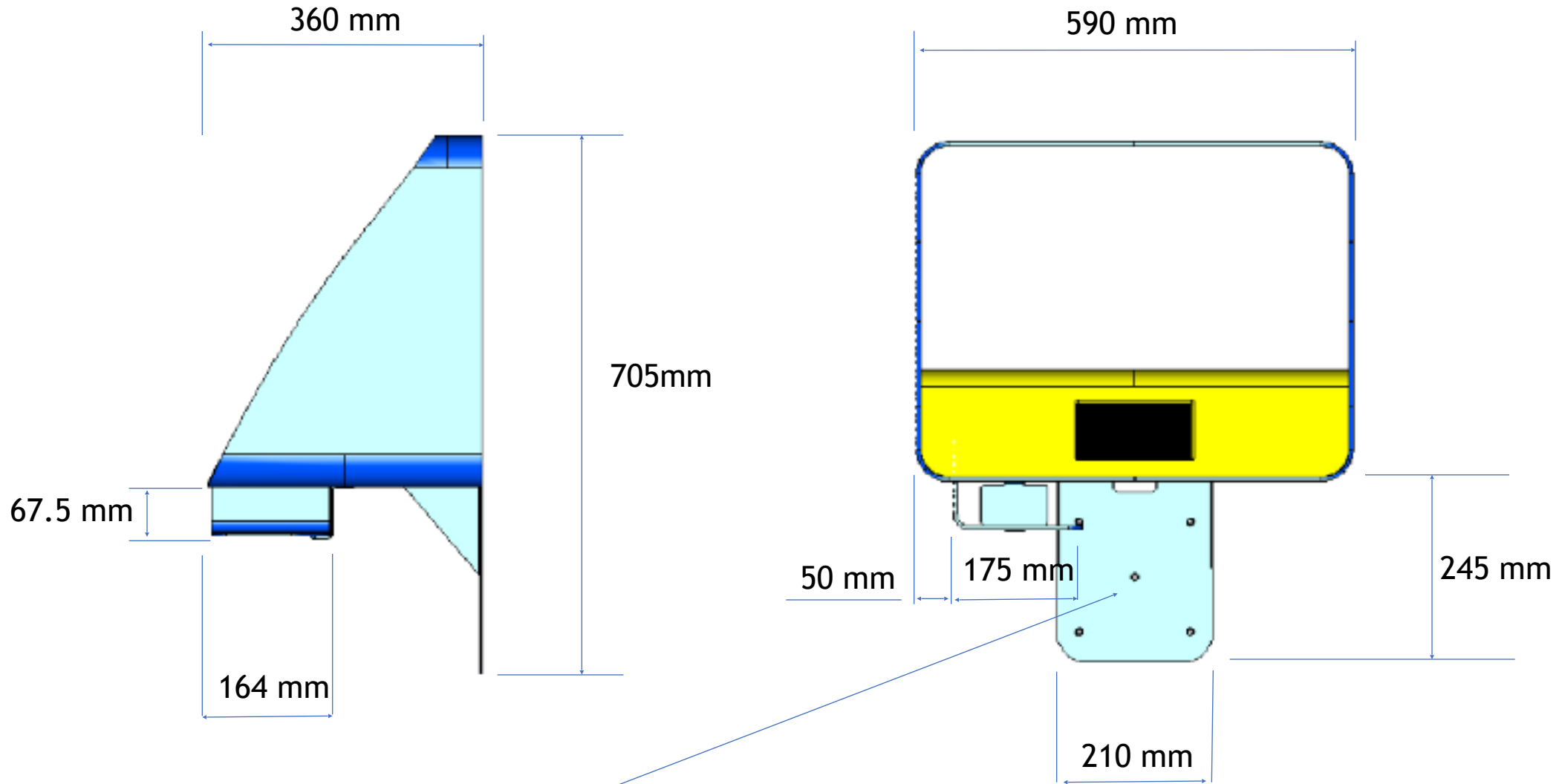
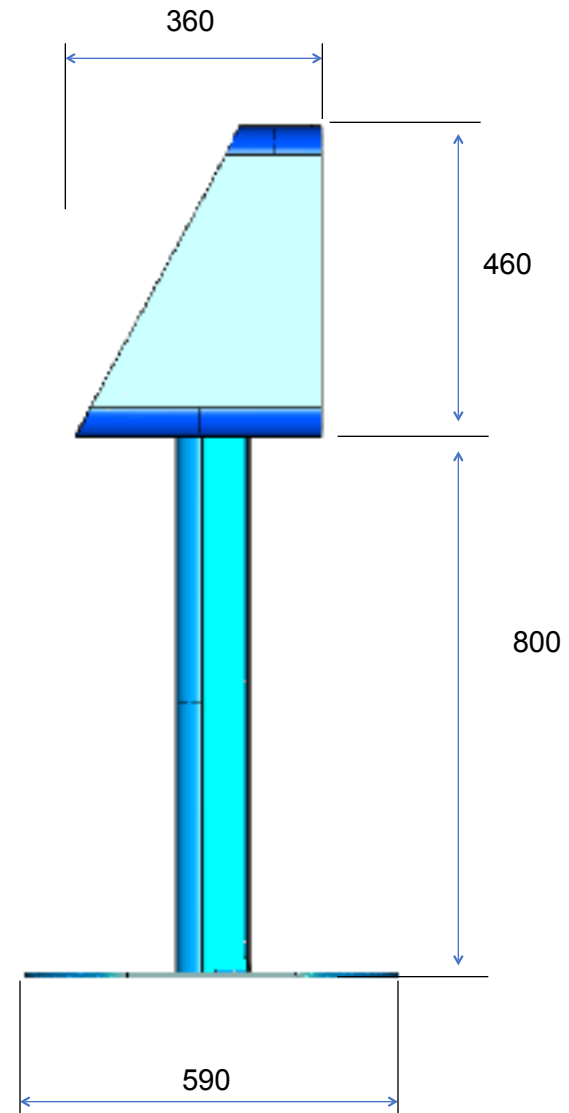
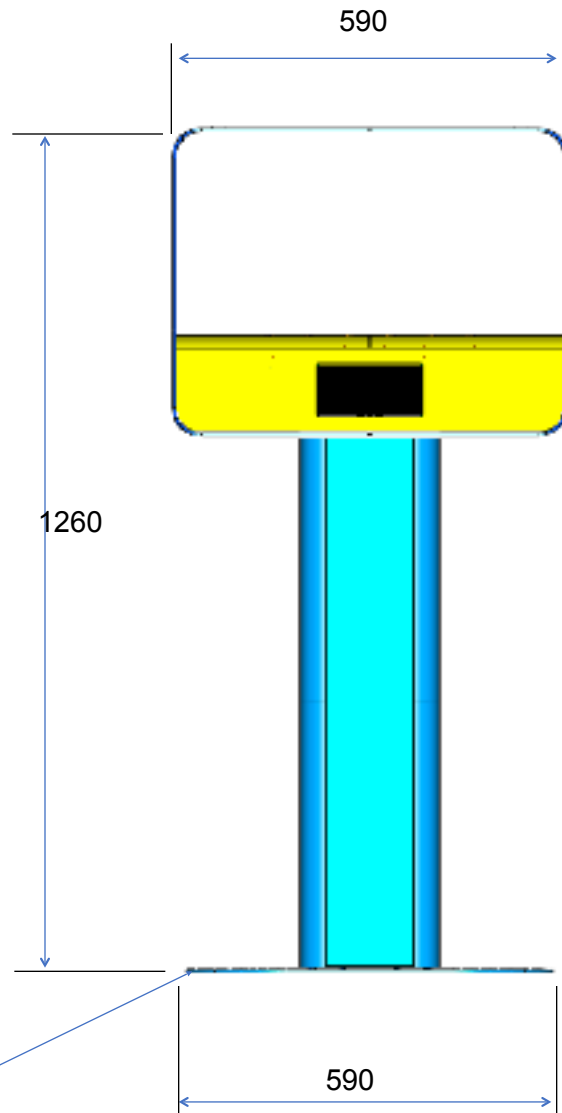


*Fixing to Wall with 5pcs Screw  $\text{\O}6 \times 50$ , TX25  
and 5pcs Screw Anchor 8x46*



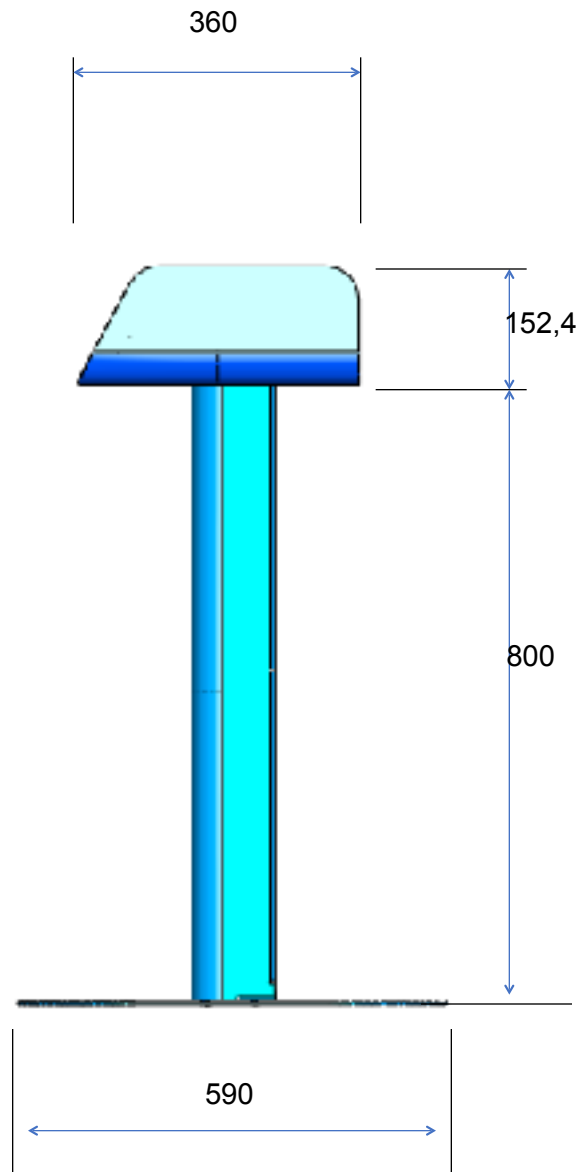
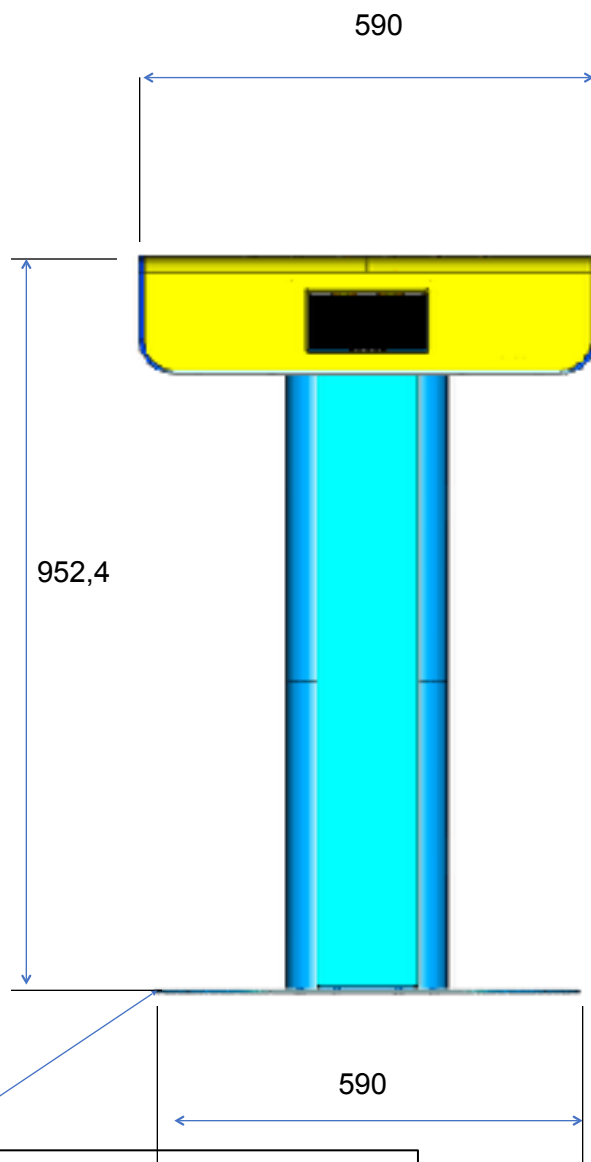
## Main dimensions



Floor fixing with Through bolt 8X50

1025019031.03

# Main dimensions (low versio)



Floor fixing with Through bolt 8X50

1025019031.03